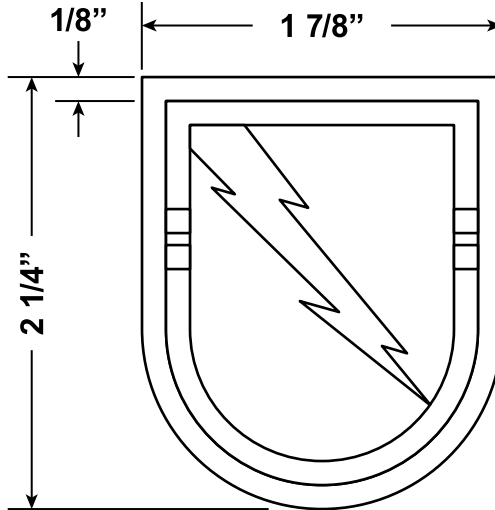
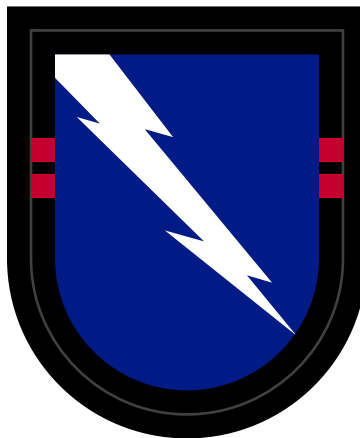


REVISIONS



**DESIGNED FOR
OVEREDGE STITCHING**



- White Cable No. 67101*
- Scarlet Cable No. 67111*
- Ultramarine Blue Cable No. 67118*
- Black Cable No. 67138*

PREPARED	SNP	THE INSTITUTE OF HERALDRY, DEPARTMENT OF THE ARMY 9325 GUNSTON RD, RM S-113 FORT BELVOIR, VA 22060-5579	
EXAMINED	<i>SAD</i>		
HDD CHIEF	AWW	BERET FLASH FOR 2ND BATTALION, 134TH INFANTRY REGIMENT	
APPROVED	_____ <i>CHARLES V. MUGNO, DIRECTOR</i>		
		SCALE FULL	DISTRIBUTION A. APPROVED FOR PUBLIC RELEASE
		A-4-326	
MATERIALS: TO BE MANUFACTURED IN ACCORDANCE WITH MIL-DTL-14652			DATE: 13 MARCH 2020